

Cal. VC11E

15.55 mm
[12H --- 6H]

13.00 mm
[3H --- 9H]

H 2.38 mm

| Item | Version No. |
|-------------------|-------------|
| Specification | Version 2 |
| Appearance | Version 4 |
| Casing | Version 6 |
| Hand Fitting | Version 6 |
| Hand Setting Stem | Version 5 |
| Dial - 1 | Version 4 |
| Casing Ring | Version 2 |
| Assembly Plan | Version 4 |
| Hands | Version 3 |
| | |
| | |



MOVEMENT SPECIFICATIONS

CAL.VC11E 5 1/2 Ligne Quartz Movement Three Hands

1. MOVEMENT DIMENSIONS

- Outside diameter ϕ 15.55mm (12H~6H) x 13.0mm (3H~9H)
- Casing diameter ϕ 15.15mm (12H~6H)
- Total height 2.38 mm (including the battery)

2. TIME STANDARD

- Type of quartz oscillator Tuning fork
- Frequency of quartz oscillator 32,768 H Z
- Accuracy Monthly rate: Less than 20 seconds per month at normal temperature range
- Regulation device Nil
- Regulation hands unbalance
 - Second : Less than 0.045 μ N·m (4.5mg·mm)
 - Minute : Less than 0.40 μ N·m (40mg·mm)
 - Hour : Less than 0.60 μ N·m (60mg·mm)

3. BATTERY

- Type Silver oxide battery
- Size ϕ 5.8 x t 2.1 (mm)
- Battery life Approx. 2 years
- Recommended battery SR521SW (SEIZAIKEN)

4. STEPPING MOTOR

- Type Two pole stepping motor
- Step 180° every second

5. JEWEL

0 jewel

6. ANTIMAGNETISM (direct current magnetic field)

\geq 1600 A / m

7. SHOCK RESISTANCE

On equal level with general quartz movement

8. OPERATING TEMPERATURE RANGE

From - 5°C to + 50°C

9. SETTING MECHANISM

- Crown at normal position Free
- Crown pulled out to 1st click Time setting, second setting and reset switch

10. TEST OF ACCURACY

- Equipment to be used
 - Quartz Tester QT - 99
 - Greiner Quartz Timer - C
 - Witschi Q-Tester 4000
- Duration of measurement 10 seconds
- Microphone to be used Electromagnetic detection type (DM-1)

11. ATTACHED PARTS

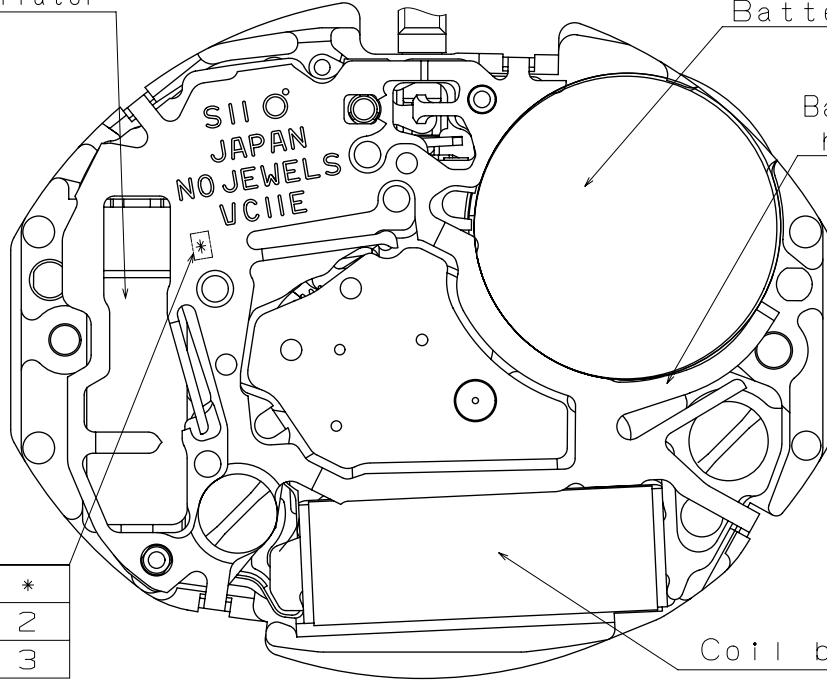
| Parts Name | Parts Code |
|----------------------|--|
| Silver oxide battery | 3016 - 1410 |
| Hand setting stem | 0351-1730 (Regular) / 0351-1200 (Long) |
| Hour wheel | 0271 - 2980 |
| Dial washer | 0491 - 0130 |

*** All specifications are subject to change without notice.**

Crystal oscillator

Battery

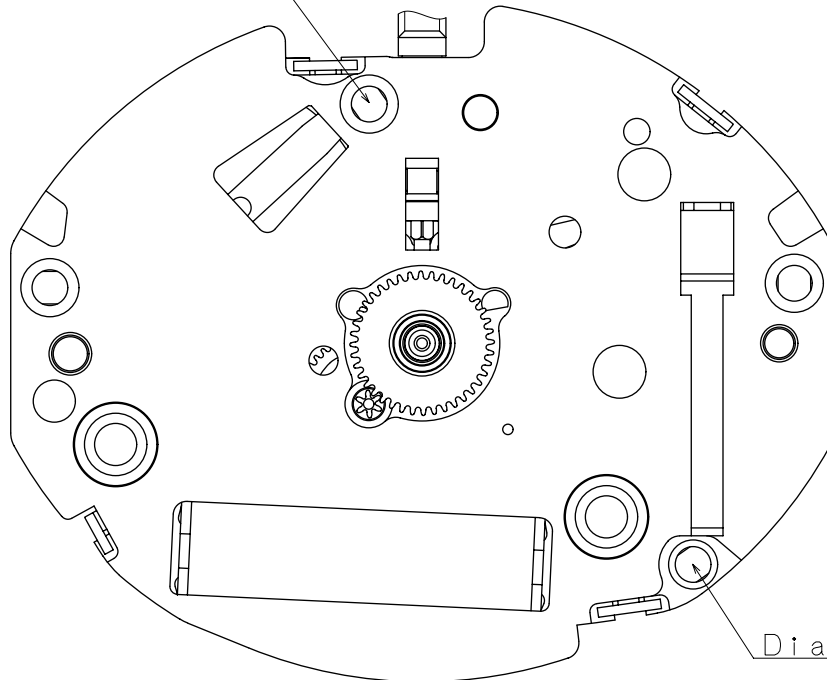
Battery side
holding spring



| | |
|--------|---|
| | * |
| TYPE M | 2 |
| TYPE L | 3 |

Coil block

Dial leg hole



Dial leg hole

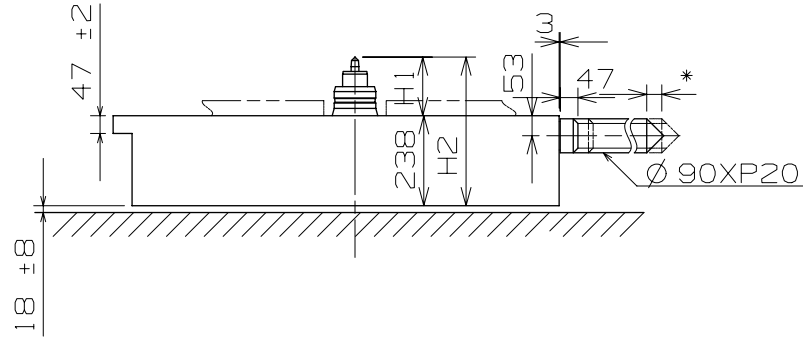
Scale : 7/1
Unit : 1=1/100mm

Version:4

Casing

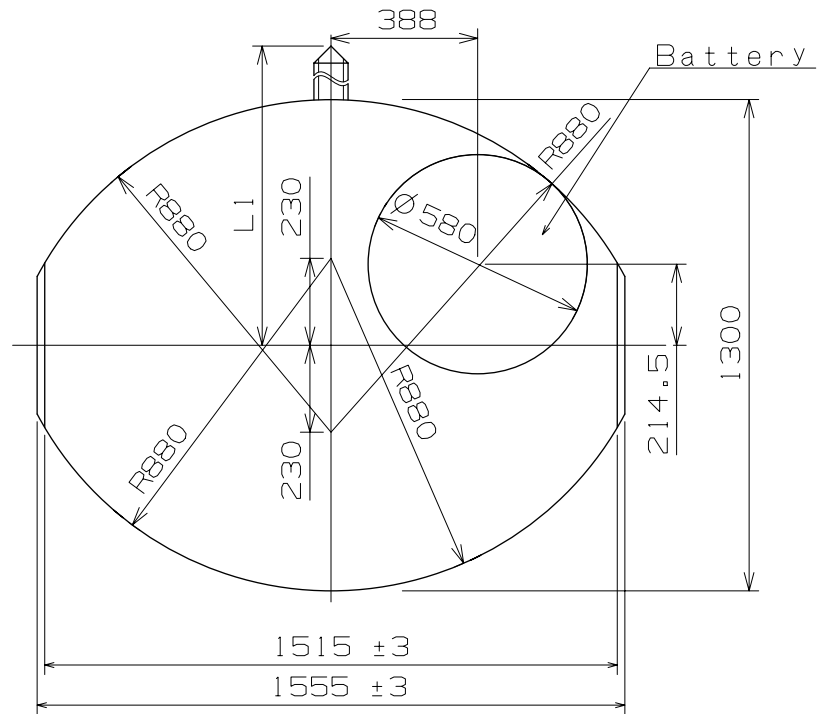
Cal. VC11E

Battery Side holding spring Type. * Pull out stroke 40



| Center post | | TYPE M | TYPE L |
|--|----|--------|--------|
| Maximum height from main plate surface | H1 | 155 | 185 |
| Total height incl. movement | H2 | 393 | 423 |

| Hand Setting Stem | TYPE A | TYPE B |
|-------------------|--------|--------|
| L1 | 1648 | 2140 |



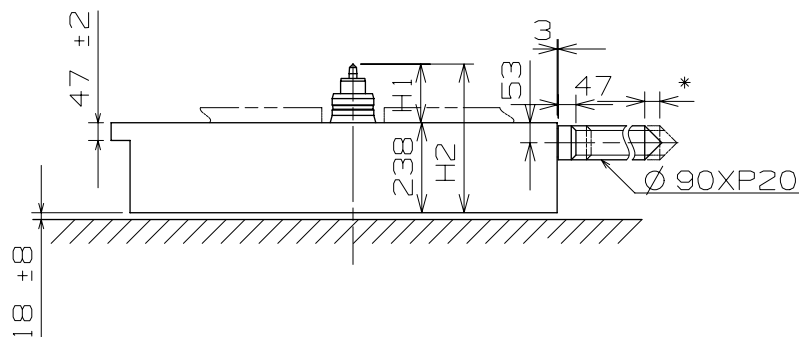
Scale : 5/1
Unit : 1=1/100mm

Version:6

Casing

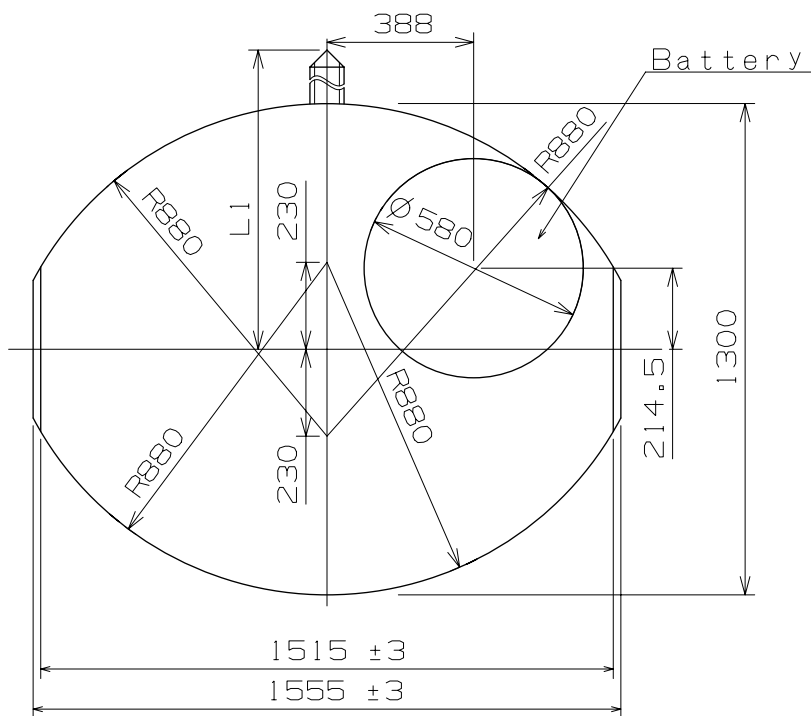
Cal. VC11E

Battery Side holding spring Type. * Pull out stroke 40



| Center post 中心柱位 | | TYPE M 一般針高 | TYPE L 高針 |
|---|----|----------------|--------------|
| Maximum height from main plate surface. 與機芯平面之最大高度 | H1 | 155 | 185 |
| Total height incl. movement. 機芯總高度 | H2 | 393 | 423 |

| Hand Setting Stem | TYPE A | TYPE B |
|-------------------|--------|--------|
| L1 | 1648 | 2140 |



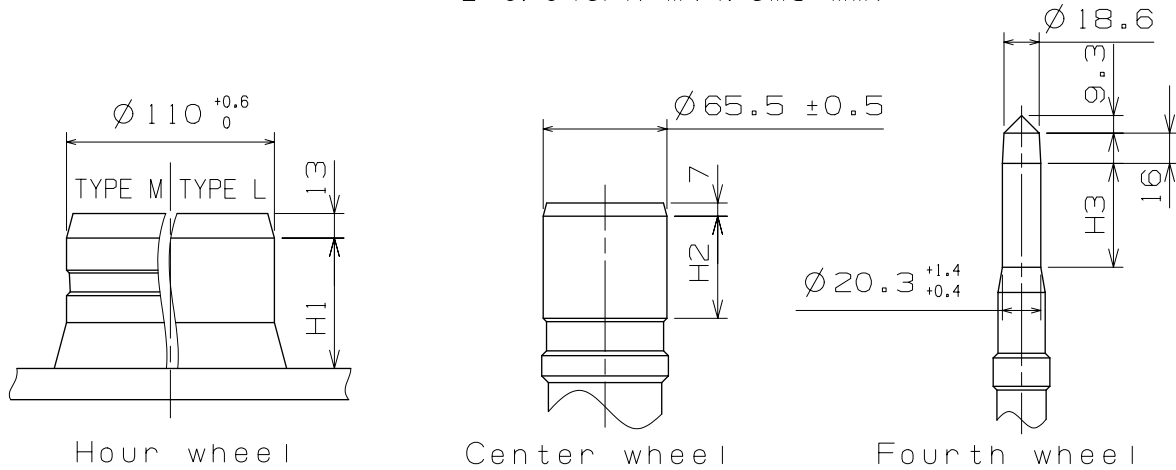
Scale : 5/1
Unit : 1=1/100mm

Version:6

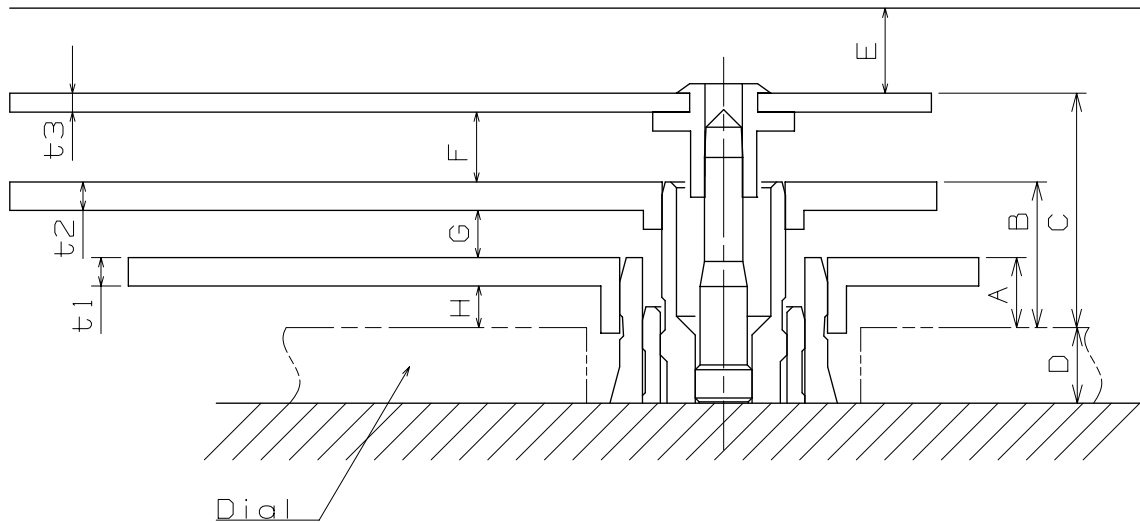
Hand fitting

Cal. VC11E

Hour hand unbalance $\leq 0.6 \mu\text{N}\cdot\text{m}$ (60mg·mm)
 Minute hand unbalance $\leq 0.4 \mu\text{N}\cdot\text{m}$ (40mg·mm)
 Second hand unbalance $\leq 0.045 \mu\text{N}\cdot\text{m}$ (4.5mg·mm)



| | Part. No. | | | Dimension | | |
|--------|------------|--------------|--------------|-----------|----|----|
| | Hour wheel | Center wheel | Fourth wheel | H1 | H2 | H3 |
| TYPE M | 0271 2980 | 0270 2980 | 0241 1330 | 69 | 54 | 55 |
| TYPE L | 0271 3040 | 0270 1300 | 0241 3930 | 99 | 57 | 85 |



| | A | B | C | D | E | F | G | H | t1 | t2 | t3 |
|--------|----|----|-----|----|----|----|----|----|----|----|----|
| TYPE M | 37 | 77 | 124 | 40 | 45 | 37 | 25 | 22 | 15 | 15 | 10 |
| TYPE L | 35 | 78 | 122 | 72 | 45 | 34 | 28 | 20 | 15 | 15 | 10 |

Scale : 25/1

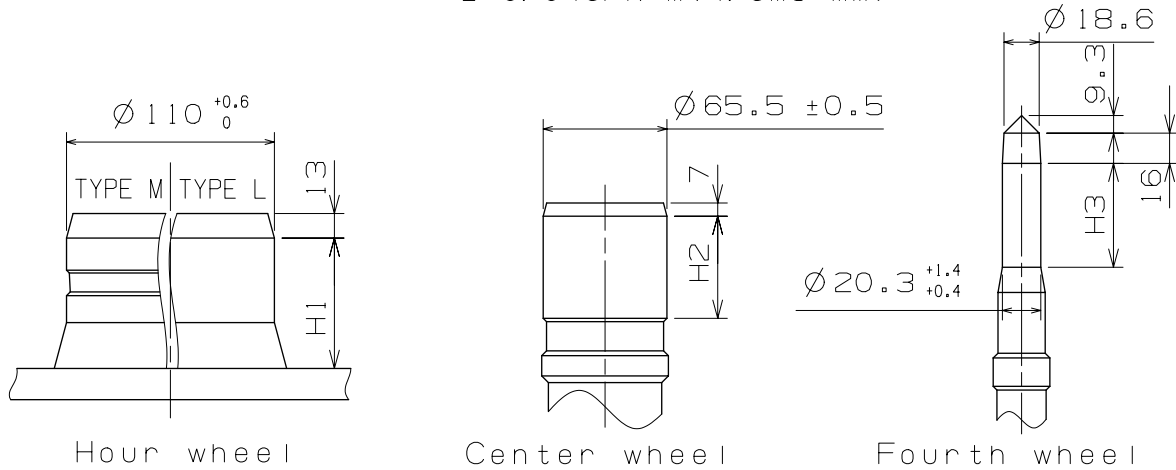
Unit : 1=1/100mm

Version:6

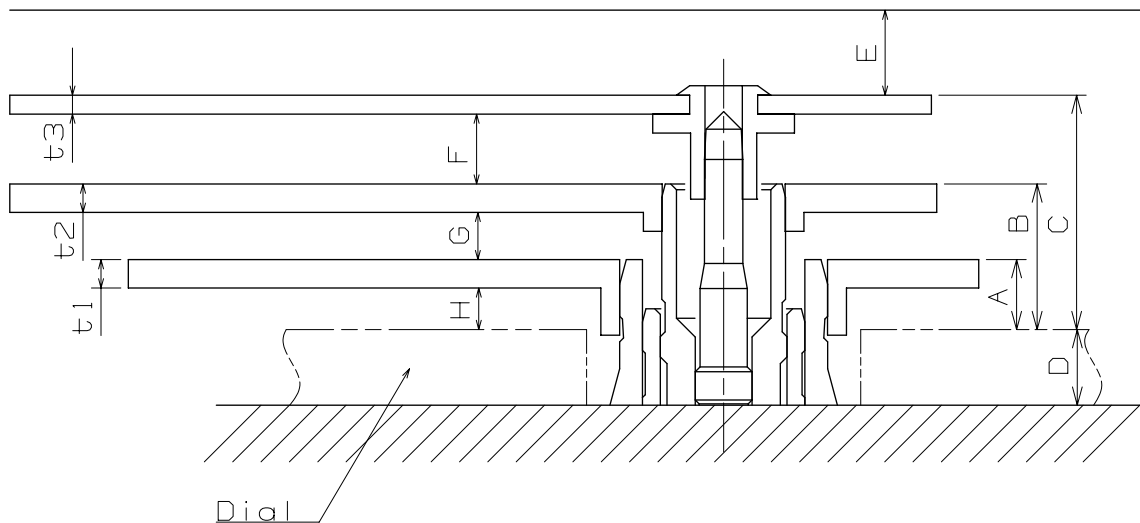
Hand fitting

Cal. VC11E

Hour hand unbalance $\leq 0.6 \mu\text{N}\cdot\text{m}$ (60mg·mm)
 Minute hand unbalance $\leq 0.4 \mu\text{N}\cdot\text{m}$ (40mg·mm)
 Second hand unbalance $\leq 0.045 \mu\text{N}\cdot\text{m}$ (4.5mg·mm)



| | Part. No. | | | Dimension | | |
|-------------|----------------|------------------|------------------|-----------|----|----|
| | Hour wheel 時針輪 | Center wheel 分針輪 | Fourth wheel 秒針輪 | H1 | H2 | H3 |
| TYPE M 一般針高 | 0271 2980 | 0270 2980 | 0241 1330 | 69 | 54 | 55 |
| TYPE L 高針 | 0271 3040 | 0270 1300 | 0241 3930 | 99 | 57 | 85 |

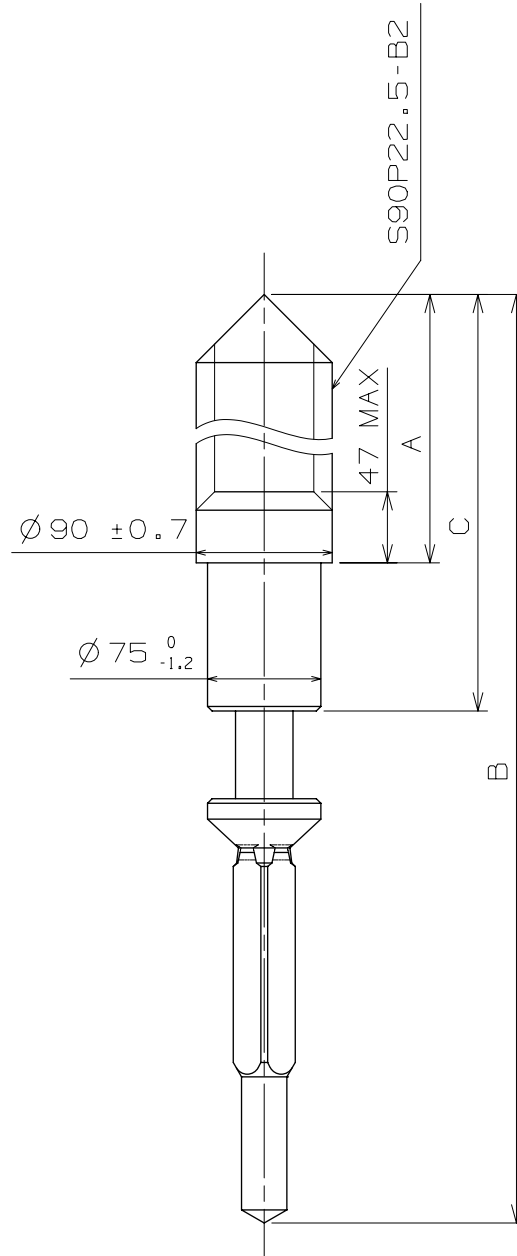


| | A | B | C | D | E | F | G | H | t1 | t2 | t3 |
|-------------|----|----|-----|----|----|----|----|----|----|----|----|
| TYPE M 一般針高 | 37 | 77 | 124 | 40 | 45 | 37 | 25 | 22 | 15 | 15 | 10 |
| TYPE L 高針 | 35 | 78 | 122 | 72 | 45 | 34 | 28 | 20 | 15 | 15 | 10 |

Scale : 25/1

Unit : 1=1/100mm

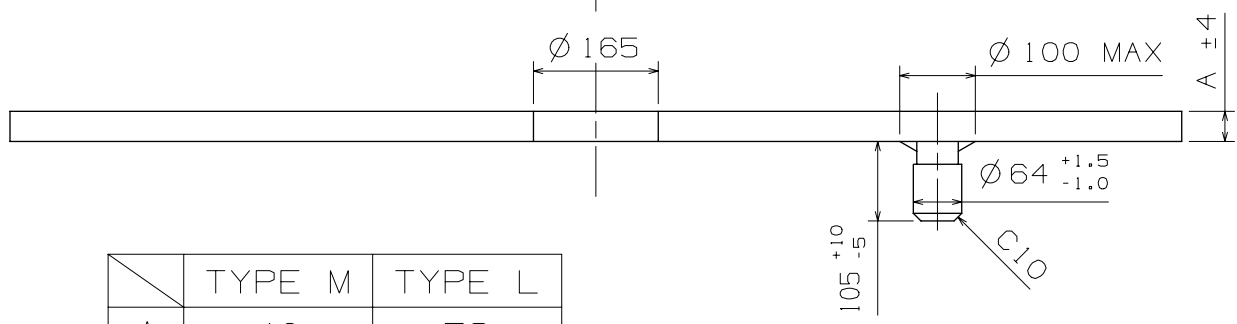
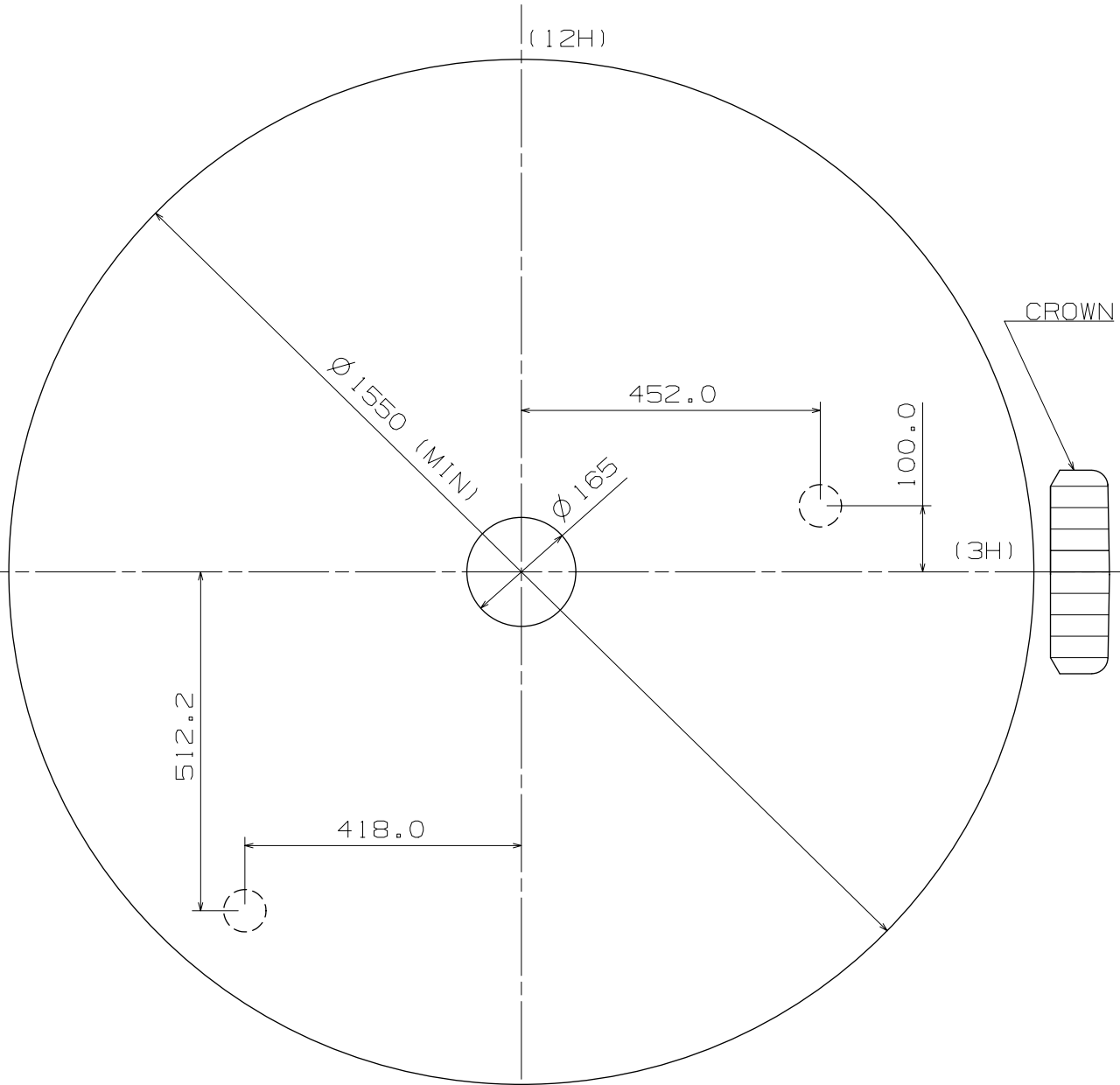
Version:6



| | Part.No. | A | B | C |
|--------|-----------|------|------|------|
| TYPE A | 0351 1730 | 1105 | 1542 | 1203 |
| TYPE B | 0351 1200 | 1597 | 2034 | 1695 |

Scale : 20/1
Unit : 1=1/100mm

Version:5



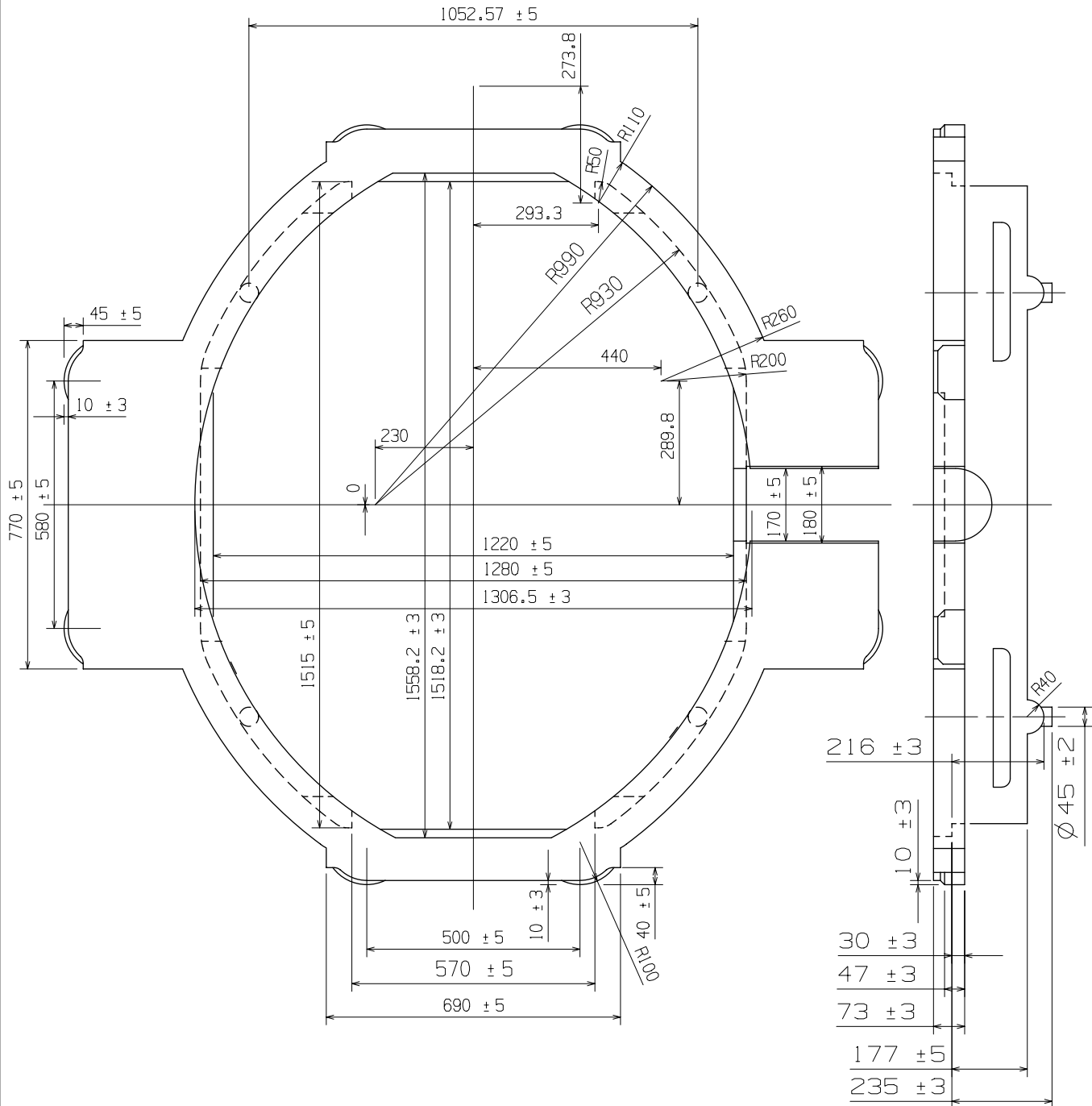
| | | |
|---|--------|--------|
| | TYPE M | TYPE L |
| A | 40 | 72 |

Scale : 10/1
Unit : 1=1/100

Version:4

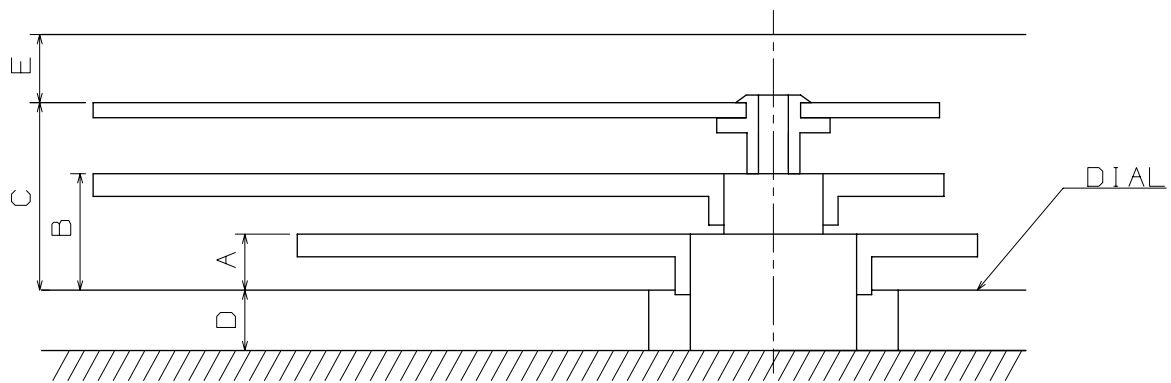
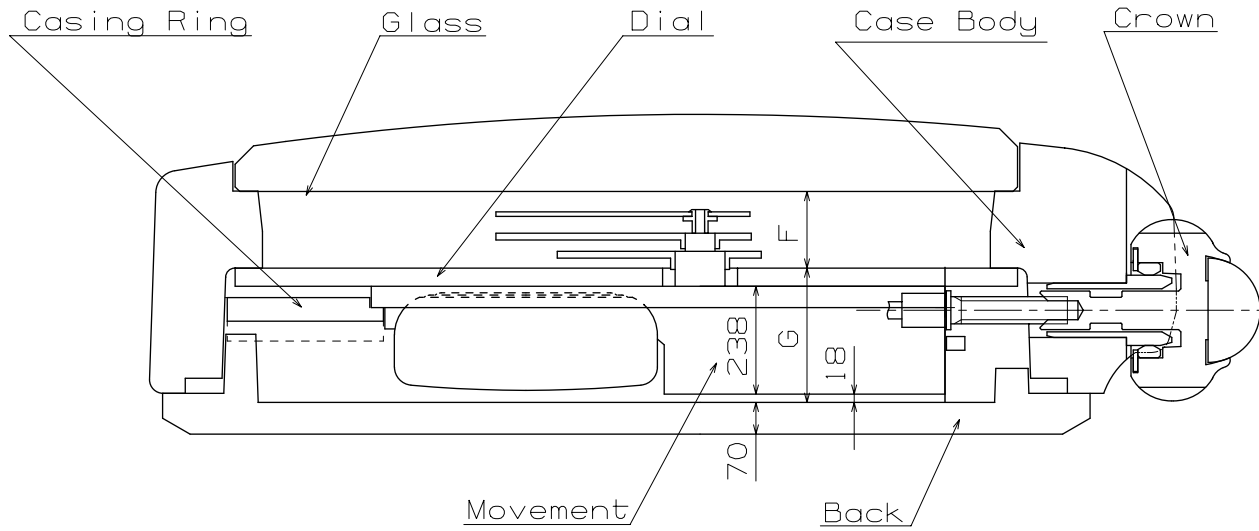
Casing Ring

Cal. VC11E



Scale : 7/1
Unit : 1=1/100

Version:2

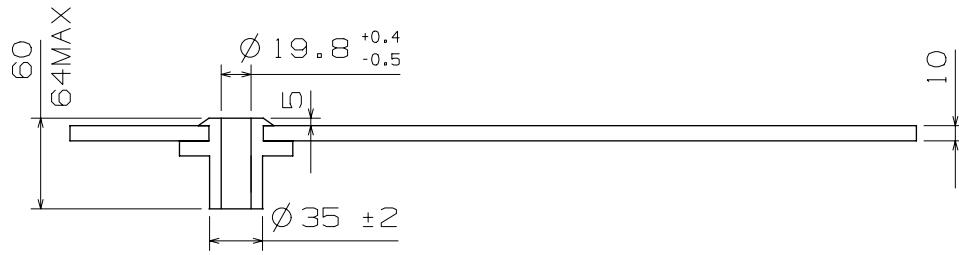


| | A | B | C | D | E | F | G |
|--------|----|----|-----|----|----|-----|-----|
| TYPE M | 37 | 77 | 124 | 40 | 45 | 169 | 296 |
| TYPE L | 35 | 78 | 122 | 72 | 45 | 167 | 328 |

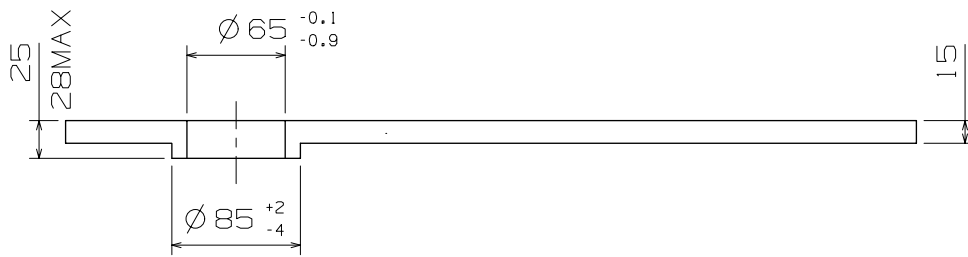
Scale : -
Unit : 1=1/100

Version:4

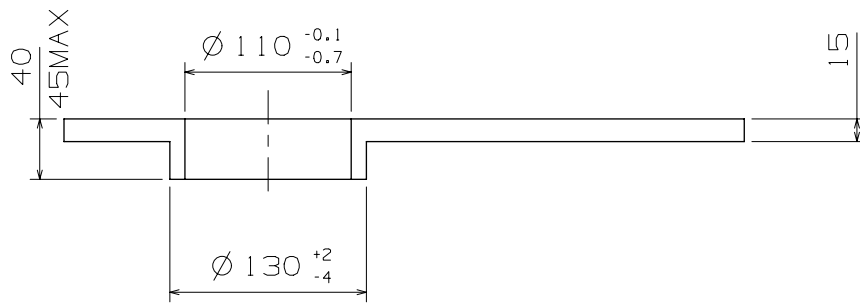
SECOND



MINUTE



HOUR



Scale : -
Unit : 1=1/100

Version:3